

10 SERIES HC10WB4R1

4MP IR Bullet IP Camera



OPERATIONAL

Video Standard	PAL/NTSC
Scanning System	Progressive
Image Sensor	1/3" Progressive Scan CMOS
Number Of Pixels(H x V)	2560(H)×1440(V)
Minimum Illumination (Color/BW)	0.1 Lux @ (F1.2,AGC ON) / 0 Lux @ (IR LED ON)
S/N Ratio	55 db
Electronic Shutter Speed	Auto/Manual, 1/5 ~ 1/20,000s
IR Distance	Up to 30 m (98.4 ft)
IR Light Control	Auto/Manual
Day/Night	Auto(ICR)/Day / Night
Backlight Compensation	DWDR, BLC, HLC
White Balance	Auto/Manual
Gain Control	0-100%
Wide Dynamic Range	DWDR
Noise Reduction	2D/3D DNR
Lens	Fixed Focal, 4mm, F1.6
Angle Of View (H x V x D)	H: 79.3°, V: 40.7°
Privacy Masking	Off / On (4 Areas, Rectangle)
Defog	Supported
Local Storage	Built-in Micro SD slot, up to 256GB (SD card level Class 10 or above)

VIDEO

Video Compression	H.265 HEVC/H.264
Number of Video Streams	2 Streams
Frame Rate	Main Stream: 2560×1440, 2304×1296, 1920×1080, 1280×720@25fps Sub Stream: 704×576, 640×360, 480×360, 352×288@25fps
Bit Rate	Main Stream: 128kbps ~ 4096kbps, default 4096kbps Sub Stream: 16kbps ~ 1536kbps, default 1024kbps

NETWORK

Ethernet	1 Ethernet (10/100 Base-T) RJ-45 Connector
Supported Web Browsers	IE11, Chrome, Firefox, Microsoft Edge
Supported OS	Microsoft Windows 10
Protocols*	IPv4, RTSP/RTP/RTCP, TCP/UDP, DHCP, DNS, DDNS, UPNP, ICMP, IGMP, NTP, SMTP, SNMP
Interoperability	ONVIF Profile S
Maximum Users Access	4 Users
Languages Supported	English, Chinese (Simplified), French, Korean, Polish, Italian, Spanish, German, Hungarian, Russian, Vietnamese, Thai, Danish, Czech, Slovakia, Indonesian, Portuguese, Dutch, Hebrew, Arabic, Turkish

EVENTS / ANALYTICS

Video Analytics	Motion Detection, Intrusion, Line Crossing, Tampering
Event Linkage	Event notification using Email and MicroSD card

ELECTRICAL

Power Supply	DC12V, 1A; or POE (IEEE 802.3af)
Power Consumption (Max)	Max 5.5W

MECHANICAL

Dimensions	Ø182 mm × 66.2 mm × 66.2 mm (7.16" × 2.61" × 2.61")
Product Weight	0.35 kg (0.77 lb)
Package Weight	0.46 kg (1.01 lb)
Body Material	Die-cast aluminum housing
Color	Honeywell White (RAL9003), Pantone Black

ENVIRONMENTAL

Operating Temperature	-25°C ~ 55°C (-13°F ~ 131°F)
Relative Humidity	Less than 90% RH
Ingress Protection	IP66

REGULATORY REGULATORY

Emissions	FCC PART 15, CE (EN 55032)
Country of Origin	China

* Some development may be required in specific user cases to support some of these protocols in the field as they mature over time.

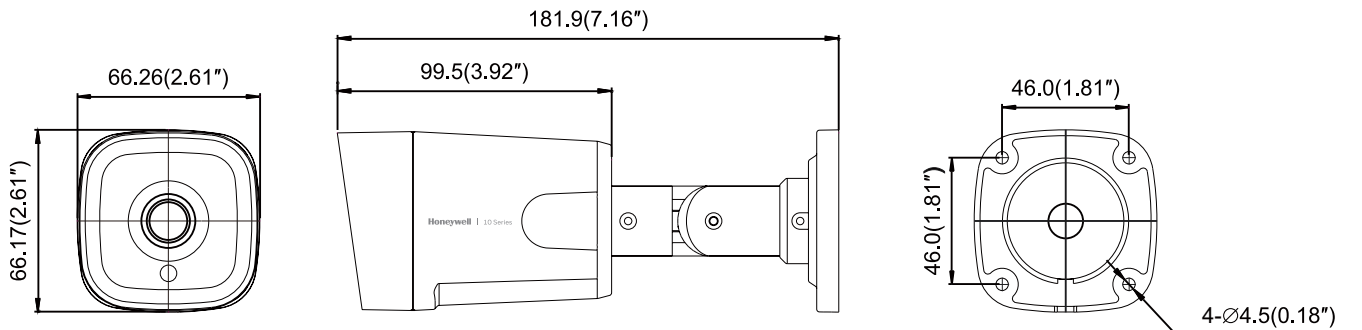
10 SERIES 4MP IR Bullet IP Camera

RECOMMENDED ACCESSORIES

SYSTEM INTEGRATION		OPTIONAL MOUNTS AND ACCESSORIES	
35 Series NVR	Integration with 35 Series NVRs	HA10 JCBH1	10S bullet junction box
HEN*4	8 / 16 / 32 / 64-Channel Performance Series 4K NVRs		
HEN*3V	4 / 8 / 16- Channel Embedded NVRs		

ORDERING	
HC10WB4R1	4MP Network IR Bullet Camera, DWDR, 4mm Fixed lens, H.265, POE/12VDC, IP66

DIMENSIONS



For more information

buildings.honeywell.com/security

Honeywell Commercial Security

Emaar Business Park, Sheikh Zayed Road, Building No. 2, 2nd floor, 201

Post Office Box 232362

Dubai, United Arab Emirates

Tel: +971 4 450 5800

www.honeywell.com



HEVC^{Advance}

ONVIF and the ONVIF logo are trademarks of ONVIF Inc. HEVC Advance logo is a trademark of HEVC Advance. Honeywell reserves the right, without notification, to make changes in product design or specifications.