

# 10 SERIES HC10WB2R1

## 2MP IR Bullet IP Camera



### OPERATIONAL

Video Standard	PAL/NTSC
Scanning System	Progressive
Image Sensor	1/2.8" Progressive Scan CMOS
Number Of Pixels(H x V)	1920(H)×1080(V)
Minimum Illumination (Color/BW)	0.1 Lux @ (F1.2,AGC ON) / 0 Lux @ (IR LED ON)
S/N Ratio	55 db
Electronic Shutter Speed	Auto/Manual, 1/5 ~ 1/20,000s
IR Distance	Up to 30 m (98.4 ft)
IR Light Control	Auto/Manual
Day/Night	Auto(ICR)/Day / Night
Backlight Compensation	DWDR, BLC, HLC
White Balance	Auto/Manual
Gain Control	0-100%
Wide Dynamic Range	DWDR
Noise Reduction	2D/3D DNR
Lens	Fixed Focal, 4mm, F2.0
Angle Of View (H x V x D)	H: 87.8°, V: 44.4°
Privacy Masking	Off / On (4 Areas, Rectangle)
Defog	Supported
Local Storage	Built-in Micro SD slot, up to 256GB (SD card level Class 10 or above)

### VIDEO

Video Compression	H.265 HEVC/H.264
Number of Video Streams	2 Streams
Frame Rate	Main Stream: 1920×1080, 1280×720 @ 25/30fps Sub Stream: 704×576, 640×360, 480×360, 352×288 @ 25/30fps
Bit Rate	Main Stream: 128kbps ~ 4096kbps, default 2048kbps Sub Stream: 16kbps ~ 1536kbps, default 1024kbps

### NETWORK

Ethernet	1 Ethernet (10/100 Base-T) RJ-45 Connector
Supported Web Browsers	IE11, Chrome, Firefox, Microsoft Edge
Supported OS	Microsoft Windows 10
Protocols*	IPv4, RTSP/RTP/RTCP, TCP/UDP, DHCP, DNS, DDNS, UPNP, ICMP, IGMP, NTP, SMTP, SNMP
Interoperability	ONVIF Profile S
Maximum Users Access	4 Users
Languages Supported	English, Chinese (Simplified), French, Korean, Polish, Italian, Spanish, German, Hungarian, Russian, Vietnamese, Thai, Danish, Czech, Slovakia, Indonesian, Portuguese, Dutch, Hebrew, Arabic, Turkish

### EVENTS / ANALYTICS

Video Analytics	Motion Detection, Intrusion, Line Crossing, Tampering
Event Linkage	Event notification using Email and MicroSD card

### ELECTRICAL

Power Supply	DC12V, 1A; or POE (IEEE 802.3af)
Power Consumption (Max)	Max 5.5W

### MECHANICAL

Dimensions	Ø182 mm × 66.2 mm × 66.2 mm (7.16" × 2.61" × 2.61")
Product Weight	0.35 kg (0.77 lb)
Package Weight	0.46 kg (1.01 lb)
Body Material	Die-cast aluminum housing
Color	Honeywell White (RAL9003), Pantone Black

### ENVIRONMENTAL

Operating Temperature	-25°C ~ 55°C (-13°F ~ 131°F)
Relative Humidity	Less than 90% RH
Ingress Protection	IP66

### REGULATORY REGULATORY

Emissions	FCC PART 15, CE (EN 55032)
Country of Origin	China

\* Some development may be required in specific user cases to support some of these protocols in the field as they mature over time.

# 10 SERIES 2MP IR Bullet IP Camera

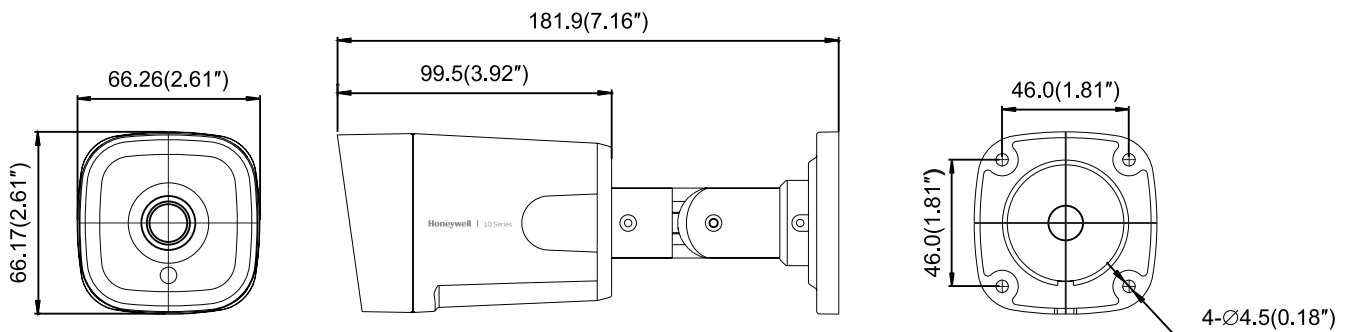
## RECOMMENDED ACCESSORIES

SYSTEM INTEGRATION	
35 Series NVR	Integration with 35 Series NVRs
HEN*4	8/ 16 / 32 / 64-Channel Performance Series 4K NVRs
HEN*3V	4/ 8/ 16- Channel Embedded NVRs

OPTIONAL MOUNTS AND ACCESSORIES	
HA10 JCBH1	10S bullet junction box

ORDERING	
HC10WB2R1	2MP Network IR Bullet Camera, DWDR, 4mm Fixed lens, H.265, POE/12VDC, IP66

## DIMENSIONS



### For more information

[buildings.honeywell.com/security](https://buildings.honeywell.com/security)

### Honeywell Commercial Security

Emaar Business Park, Sheikh Zayed Road, Building No. 2, 2nd floor, 201

Post Office Box 232362

Dubai, United Arab Emirates

Tel: +971 4 450 5800

[www.honeywell.com](https://www.honeywell.com)



HEVC<sup>Advance</sup>™

ONVIF and the ONVIF logo are trademarks of ONVIF Inc.  
HEVC Advance logo is a trademark of HEVC Advance  
Honeywell reserves the right, without notification, to make changes in product design or specifications.

© 2022 Honeywell International Inc.

**Honeywell**