

10 SERIES HC10W45R2

5MP IP WDR MFZ Dome Camera



OPERATIONAL	
Video Standard	NTSC/PAL
Scanning System	Progressive
Image Sensor	1/2.7" Progressive Scan CMOS
Number Of Pixels(H x V)	2880(H) X 1620(V)
Minimum Illumination (Color/BW)	Color: 0.01 Lux @ (F1.6, AGC ON), B/W: 0 Lux @ (IR LED ON)
S/N Ratio	55db
Electronic Shutter Speed	Auto/Manual, 1/5 ~ 1/20,000s
Day/Night	Auto (ICR) / Color / BW
Backlight Compensation	WDR, BLC, HLC
White Balance	Auto / Manual
Gain Control	0-100%
Wide Dynamic Range	120 dB
Noise Reduction	2D/3D DNR
Defog	Supported
IR Distance	Up to 40m(131.2ft)
IR Light Control	Smart IR (Auto / Manual) / OFF
Lens	2.7-13.5 mm, Fixed Iris, F1.6, MFZ
Angle Of View	H: 104.8°~30.3°, V: 56.3°~16°
Privacy Masking	Off / On (4 Areas)
Alarm Inputs/Outputs	Not supported
Local Storage	Built-in Micro SD card slot (up to 256GB, SD card should be preinstalled)
Reset Button	Supported
Pan Range	0°~355°
Tilt Range	0°~75°
Rotation Range	0°~354°
VIDEO	
Video Compression	H.265 HEVC/H.264/MJPEG, Smart Codec
Resolution	1st: 2880x1620, 2560x1440, 2304x1296, 1920x1080, 1280x720 2nd: 704 * 576(PAL) / 704 * 480(NTSC) / 640 * 480 / 352 * 288(PAL) / 352 * 240(NTSC) 3rd: 640 * 480/352 * 288(PAL) / 352 * 240(NTSC) / 320 * 240
Number of Video Streams	3
Frame Rate	MAX 30 fps
Bit Rate Control	VBR/CBR
Bit Rate	Stream1: 200kbps~12Mbps Stream2: 100kbps~6Mbps Stream3: 100kbps~3Mbps
AUDIO	
Audio Compression	G.711A/G.711U
Audio Interface	Built-in microphone
Audio Stream	Built-in microphone

NETWORK	
Ethernet	10 Base-T/100 Base-TX Ethernet (RJ-45)
Supported Web Browsers	Chrome/Edge
Supported OS	Microsoft Windows 10, Windows 11
Protocols*	IPv4, IPv6, TCP / IP, HTTP, HTTPS, UPnP, RTSP / RTP / RTCP, IGMP / Multicast, SMTP, DHCP, NTP, DNS, QoS, SNMP, 802.1X, UDP, ICMP, ARP, TLS/SSL
Interoperability	ONVIF Profile G/S/T
Maximum Users Access	10 Users
Security	User account and password protection, HTTPS, IP Filter, Digest authentication, TLS1.2 only, Stream encryption, AES128 / 256, SSH / Telnet closed
Languages Supported	Arabic, Czech, Dutch, English, French, German, Italian, Japanese, Korean, Polish, Portuguese (Brazil), Russian, Spanish, Turkish
EVENTS / ANALYTICS	
Built-in Video Analytics	Motion detection, Smart motion, Intrusion, Multi loitering, People counter, Line crossing Detection, Scene Change.
Event Type	Analytics alarm, Security alarm, Disk alarm, Recording alarm
Event Linkage	Email, Push notification, SD card recording
Region of Interest	8
ELECTRICAL	
Power Source	DC12V, PoE (IEEE 802.3af) (Class 0)
Power Consumption (Max)	MAX 6W
MECHANICAL	
Dimensions (D x D x H)	130 x 112 mm (5.12" x 4.41")
Dome Diameter	96.4 mm (3.8")
Product Weight	0.63kg (1.39lb)
Package Weight	0.82kg (1.81lb)
Body Material	Die-cast aluminum housing
Color	Honeywell White (RAL9003), Pantone Black
ENVIRONMENTAL	
Operating Temperature	-30°C ~ 60°C (-22°F ~ 140°F)
Relative Humidity	Less than 90 % ,RH
Ingress Protection	IP66, IK10
REGULATORY	
Emissions	CE (EN 55032)
Immunity	CE (EN50130-4)
Safety	CE (EN 62368-1)
RoHS	CE (EN 63000), UAE
Country of Origin	China

* Some development may be required in specific user cases to support some of these protocols in the field as they mature over time.

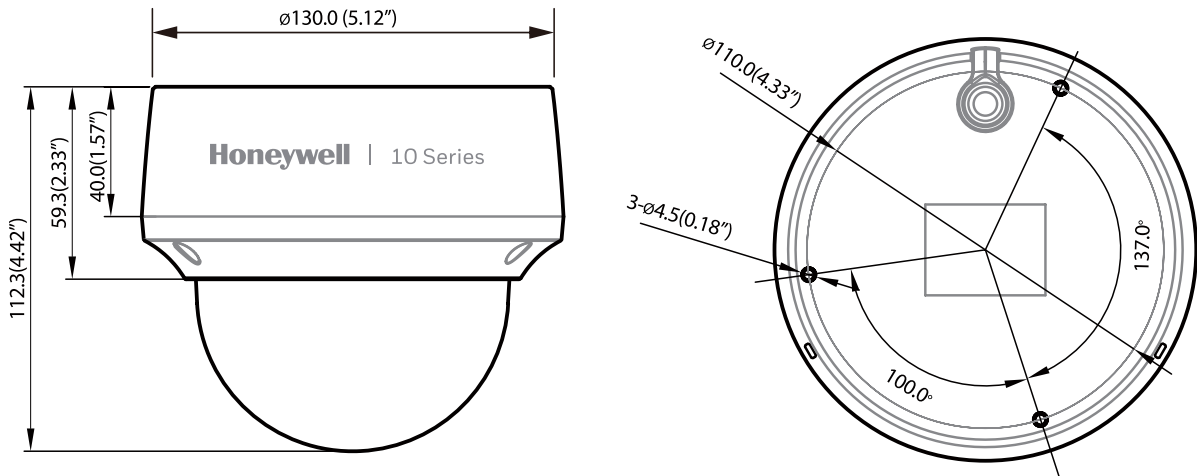
10 SERIES 8MP IP WDR IR MFZ DOME CAMERA

RECOMMENDED ACCESSORIES

SYSTEM INTEGRATION		OPTIONAL MOUNTS AND ACCESSORIES	
35 Series NVR	Integration with 35 Series NVR	HA35PMC02	35S MFZ camera cap, 1.5NPT male
		HA35CLM01	35S ceiling mount base with adapter
		HA35CLM02	35S ceiling mount extension, 252mm
		HA60WLMB1	60S wall mount bracket, 1.5NPT female

ORDERING	
HC10W45R2	5MP Network IR Dome Camera, 120dB WDR, 2.7~13.5mm MFZ lens, POE/12VDC, Built-in microphone, IP66, IK10

DIMENSIONS



For more information

buildings.honeywell.com/security

Honeywell Commercial Security

Emaar Business Park, Sheikh
Zayed Road, Building No. 2,
2nd floor, 201
Post Office Box 232362
Dubai, United Arab Emirates
Tel: +971 4 450 5800
www.honeywell.com



HEVC^{Advance}

ONVIF and the ONVIF logo are trademarks of ONVIF Inc.
HEVC Advance logo is a trademark of HEVC Advance
Honeywell reserves the right, without notification, to
make changes in product design or specifications.

HSV-HC10W45R2-01-ME(1223)DS-Y
© 2023 Honeywell International Inc.

Honeywell