

10 SERIES HC10W42R2

2MP IR Dome IP Camera



OPERATIONAL

Video Standard	PAL/NTSC
Scanning System	Progressive
Image Sensor	1/2.8" Progressive Scan CMOS
Number Of Pixels(H x V)	1920(H)×1080(V)
Minimum Illumination (Color/BW)	0.1 Lux @ (F1.2,AGC ON) / 0 Lux @ (IR LED ON)
S/N Ratio	55 db
Electronic Shutter Speed	Auto/Manual, 1/5 ~ 1/20,000s
IR Distance	Up to 30 m (98.4 ft)
IR Light Control	Auto/Manual
Day/Night	Auto(ICR)/Day / Night
Backlight Compensation	DWDR, BLC, HLC
White Balance	Auto/Manual
Gain Control	0-100%
Wide Dynamic Range	DWDR
Noise Reduction	2D/3D DNR
Lens	Manual Vari-focal, 2.8-12 mm, F2.0
Angle Of View (H x V x D)	H: 100.6° ~ 32.6°, V: 51.1° ~ 17.2°
Privacy Masking	Off / On (4 Areas, Rectangle)
Defog	Supported
Local Storage	Built-in Micro SD slot, up to 256GB (SD card level Class 10 or above)
Pan Range	0° ~ 355°
Tilt Range	0° ~ 75°
Rotation Range	0° ~ 354°

VIDEO

Video Compression	H.265 HEVC/ H.264
Number of Video Streams	2 Streams
Frame Rate	Main Stream: 1920×1080, 1280×720 @ 25/30fps Sub Stream: 704×576, 640×360, 480×360, 352×288 @ 25/30fps
Bit Rate	Main Stream: 128kbps ~ 4096kbps, default 2048kbps Sub Stream: 16kbps ~ 1536kbps, default 1024kbps

NETWORK

Ethernet	1 Ethernet (10/100 Base-T) RJ-45 Connector
Supported Web Browsers	IE11, Chrome, Firefox, Microsoft Edge
Supported OS	Microsoft Windows 10
Protocols*	IPv4, RTSP/RTP/RTCP, TCP/UDP, DHCP, DNS, DDNS, UPNP, ICMP, IGMP, NTP, SMTP, 802.1x, SNMP, PPPoE
Interoperability	ONVIF Profile S
Maximum Users Access	4 Users
Languages Supported	English, Chinese (Simplified), French, Korean, Polish, Italian, Spanish, German, Hungarian, Russian, Vietnamese, Thai, Danish, Czech, Slovakia, Indonesian, Portuguese, Dutch, Hebrew, Arabic, Turkish

EVENTS / ANALYTICS

Video Analytics	Motion Detection, Intrusion, Line Crossing, Tampering
Event Linkage	Event notification using Email and MicroSD card

ELECTRICAL

Power Supply	DC12V, 1A; or POE (IEEE 802.3af)
Power Consumption (Max)	Max 5.5 W

MECHANICAL

Dimensions	Ø130 mm × 112 mm (Ø5.12" × 4.41")
Dome Diameter	Ø96.4 mm (3.8")
Product Weight	0.63kg (1.39lb)
Package Weight	0.82kg (1.81lb)
Body Material	Die-cast aluminum housing
Color	Honeywell White (RAL9003), Pantone Black

ENVIRONMENTAL

Operating Temperature	-25°C ~ 55°C (-13°F ~ 131°F)
Relative Humidity	Less than 90% RH
Ingress Protection	IP66, IK10

REGULATORY REGULATORY

Emissions	FCC PART 15, CE (EN 55032)
Country of Origin	China

* Some development may be required in specific user cases to support some of these protocols in the field as they mature over time.

10 SERIES 2MP IR Dome IP Camera

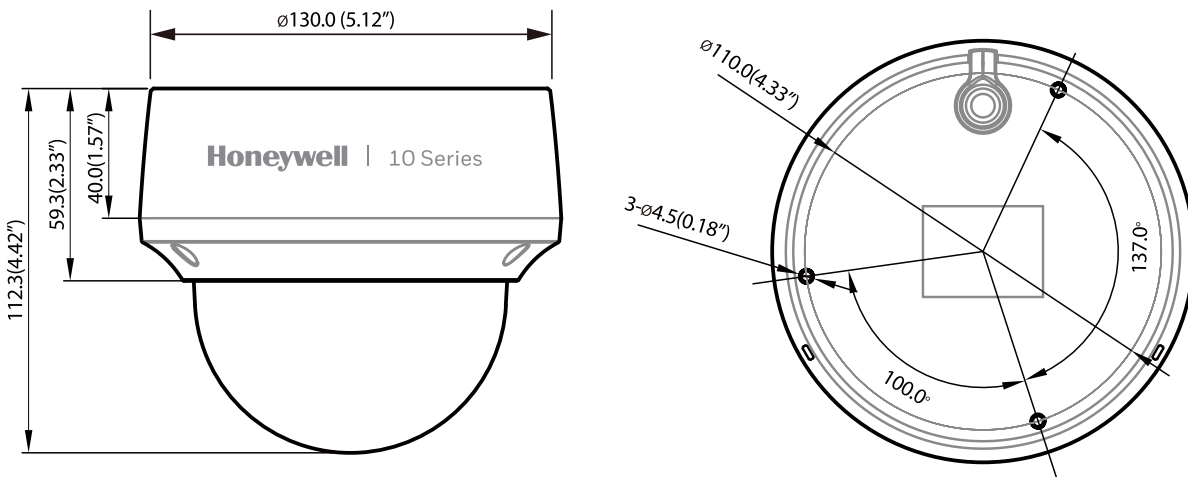
RECOMMENDED ACCESSORIES

SYSTEM INTEGRATION	
35 Series NVR	Integration with 35 Series NVRs
HEN*4	8/ 16/ 32 / 64-Channel Performance Series 4K NVRs
HEN*3V	4/ 8/ 16- Channel Embedded NVRs

OPTIONAL MOUNTS AND ACCESSORIES	
HA35PMC02	35S MFZ camera cap, 1.5NPT male
HA60JCBH1	60S junction box
HA35CLM01	35S ceiling mount base with adapter
HA35CLM02	35S ceiling mount extension, 252mm
HA60WLMB1	60S wall mount bracket, 1.5NPT female
HA60PLMZ	60S pole mount adapter
HA60CNMZ	60S corner mount adapter

ORDERING	
HC10W42R2	2MP Network IR Dome Camera, DWDR, 2.8-12mm VF lens, H.265, POE/12VDC, IP66 IK10

DIMENSIONS



For more information

buildings.honeywell.com/security

Honeywell Commercial Security

Emaar Business Park, Sheikh Zayed Road, Building No. 2, 2nd floor, 201

Post Office Box 232362

Dubai, United Arab Emirates

Tel: +971 4 450 5800

www.honeywell.com



HEVC^{Advance}

ONVIF and the ONVIF logo are trademarks of ONVIF Inc. HEVC Advance logo is a trademark of HEVC Advance Honeywell reserves the right, without notification, to make changes in product design or specifications.